

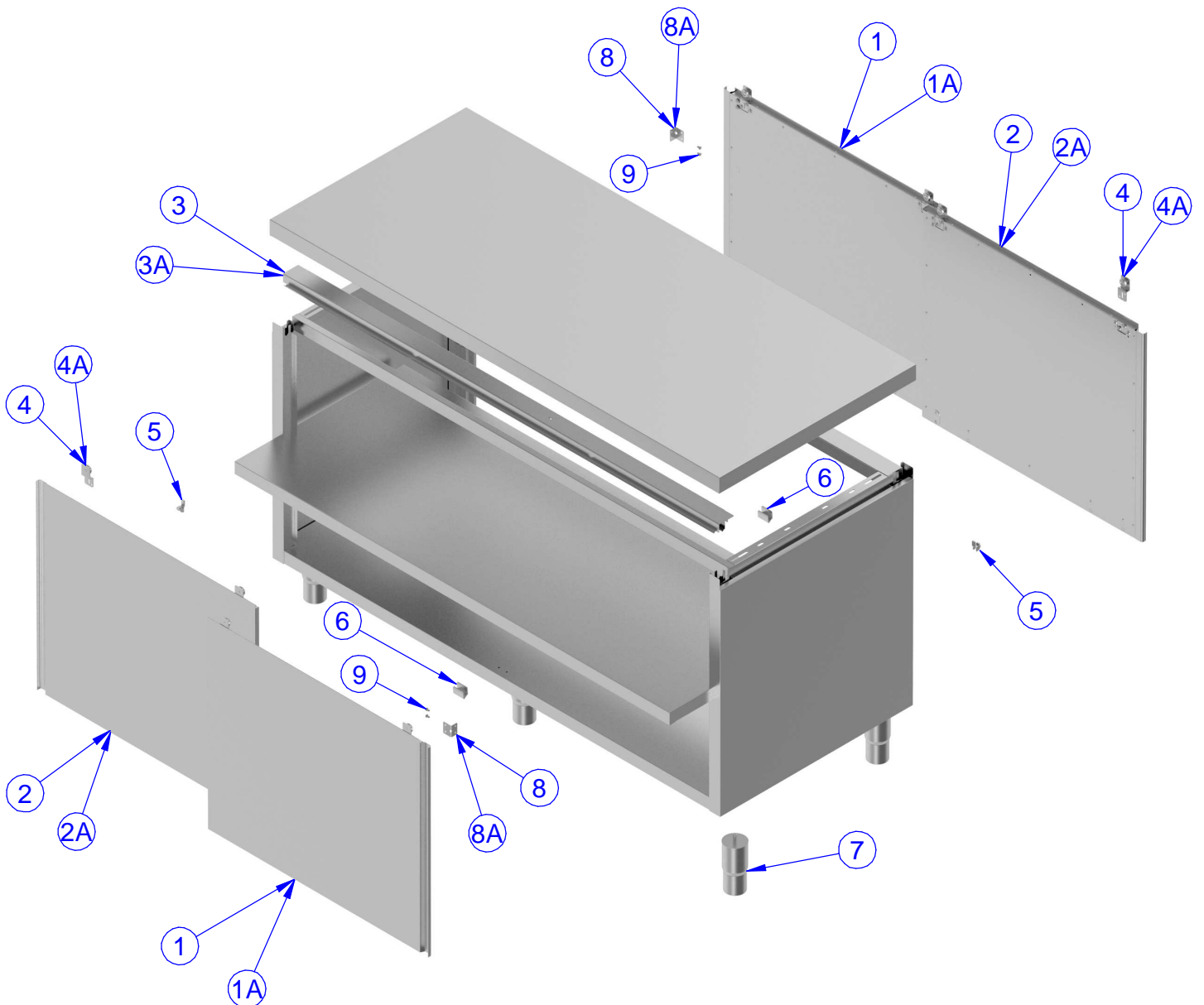
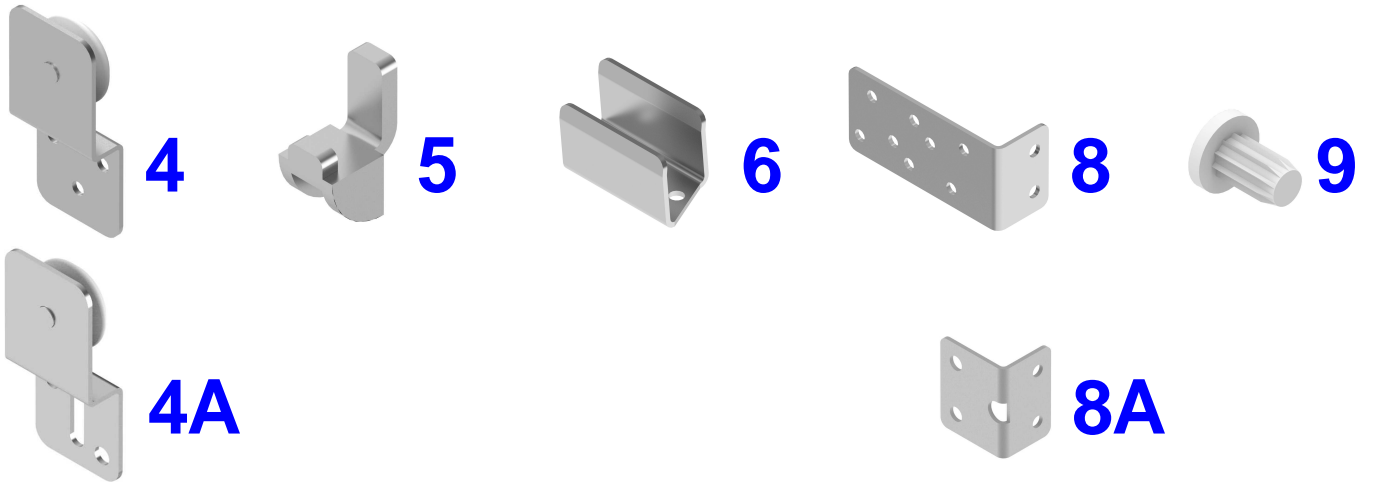
**TAVOLO ARMADIO PASSANTE PORTE SCORREVOLI
WORKTOP CUPBOARDS PASSTHROUGH SLIDING DOORS**

PNC	MODEL	L = mm	H = mm	REF	PNC	MODEL	L = mm	H = mm	REF
133245	MTND1000PN	1000	900	a	132868	MSP1207N	1200	900	g
132783	MTND1200PN	1200	900	b	132869	MSP1607N	1600	900	h
133246	MTND1400PN	1400	900	c	132870	MSP2007N	2000	900	i
132784	MTND1600PN	1600	900	d					
133247	MTND1800PN	1800	900	e					
132785	MTND2000PN	2000	900	f					

Pag.	Descrizione	Description
1	Indice	Index
2	Disegni	Drawings
3-4	Lista ricambi	Spare parts list

Brand / Marchio: STD - EB

TAVOLO ARMADIO PASSANTE PORTE SCORREVOLI
WORKTOP CUPBOARDS PASSTHROUGH SLIDING DOORS



TAVOLO ARMADIO PASSANTE PORTE SCORREVOLI WORKTOP CUPBOARDS PASSTHROUGH SLIDING DOORS

POS	(x) Valido dal Seriale 908xxx To be used from S/N 908xxx	COD	DESCRIZIONE	DESCRIPTION	Alias code	NOTES/REF.
1		OPEA41	Porta scorrevole destra 1000	Right sliding door 1000	21400A041	a
1A	x				2140AA041	
1		OPE995	Porta scorrevole destra 1200	Right sliding door 1200	21400A046	b
1A	x				2140AA046	
1		OPE981	Porta scorrevole destra 1400	Right sliding door 1400	21400A024	c
1A	x				2140AA024	
1		OPEB04	Porta scorrevole destra 1600	Right sliding door 1600	21400A006	d
1A	x				2140AA006	
1		OPEA47	Porta scorrevole destra 1800	Right sliding door 1800	21400A048	e
1A	x				2140AA048	
1		OPEB05	Porta scorrevole destra 2000	Right sliding door 2000	21400A056	f
1A	x				2140AA056	
1		OPE977	Porta scorrevole destra 1200 EB	Right sliding door 1200 EB	21400A088	g
1A	x				2140AA088	
1		OPE979	Porta scorrevole destra 1600 EB	Right sliding door 1600 EB	21400A077	h
1A	x				2140AA077	
1		OPE982	Porta scorrevole destra 2000 EB	Right sliding door 2000 EB	21400A093	i
1A	x				2140AA093	
2		OPEA42	Porta scorrevole sinistra 1000	Left sliding door 1000	21400A042	a
2A	x				2140AA042	
2		OPE996	Porta scorrevole sinistra 1200	Left sliding door 1200	21400A045	b
2A	x				2140AA045	
2		OPEB06	Porta scorrevole sinistra 1400	Left sliding door 1400	21400A025	c
2A	x				2140AA025	
2		OPEB07	Porta scorrevole sinistra 1600	Left sliding door 1600	21400A007	d
2A	x				2140AA007	
2		OPEB08	Porta scorrevole sinistra 1800	Left sliding door 1800	21400A049	e
2A	x				2140AA049	
2		OPEB09	Porta scorrevole sinistra 2000	Left sliding door 2000	21400A057	f
2A	x				2140AA057	
2		OPE984	Porta scorrevole sinistra 1200 EB	Left sliding door 1200 EB	21400A089	g
2A	x				2140AA089	
2		OPE986	Porta scorrevole sinistra 1600 EB	Left sliding door 1600 EB	21400A078	h
2A	x				2140AA078	
2		OPE988	Porta scorrevole sinistra 2000 EB	Left sliding door 2000 EB	21400A092	i
2A	x				2140AA092	

TAVOLO ARMADIO PASSANTE PORTE SCORREVOLI WORKTOP CUPBOARDS PASSTHROUGH SLIDING DOORS

POS	(x) Valido dal Seriale 908xxx To be used from S/N 908xxx	COD	DESCRIZIONE	DESCRIPTION	Alias code	NOTES/REF.
3		OPEA86	Guida Porte Scorrevoli 1000	Guida Porte Scorrevoli 1000	21400A040	a
3A	x				2140AA040	
3		OPEA87	Guida Porte Scorrevoli 1200	Guida Porte Scorrevoli 1200	21400A047	b,g
3A	x				2140AA047	
3		OPEA88	Guida Porte Scorrevoli 1400	Guida Porte Scorrevoli 1400	21400A023	c
3A	x				2140AA023	
3		OPEA89	Guida Porte Scorrevoli 1600	Guida Porte Scorrevoli 1600	21400A005	d,h
3A	x				2140AA005	
3		OPEA90	Guida Porte Scorrevoli 1800	Guida Porte Scorrevoli 1800	21400A051	e
3A	x				2140AA051	
3		OPEA91	Guida Porte Scorrevoli 2000	Guida Porte Scorrevoli 2000	21400A055	f,i
3A	x				2140AA055	
4		OPEA43	Carrello Porta scorrevole	Carrello Porta scorrevole	21400A008	a,b,c,d,e,f,g,h,i
4A	x				2140AA008	
5		OPEA44	Supporto Ripiano	Supporto Ripiano	254000231	a,b,c,d,e,f,g,h,i
6		OPEA45	Pattino porte scorrevoli	Pattino porte scorrevoli	20400A021	a,b,c,d,e,f,g,h,i
7		OPEA92	Piede regolabile	Piede regolabile	254000203	a,b,c,d,e,f,g,h,i
8		OPEA46	Freno Porta scorrevole	Freno Porta scorrevole	20400A018	a,b,c,d,e,f,g,h,i
8A	x				2040AA018	
9		OPEA51	Batti Porta Ø4	Batti Porta Ø4	254000208	a,b,c,d,e,f,g,h,i